

Product Overview

The **RM99 19" Rack Mount** is designed to install **up to three Cueva Control devices** in a standard **19-inch rack and 1U high**. It provides a clean, professional mounting solution for fixed installations, touring racks, and control cabinets.

The RM99 set includes **two blind panels**, allowing flexible configurations with **one, two, or three devices**.

Capacity & Compatibility

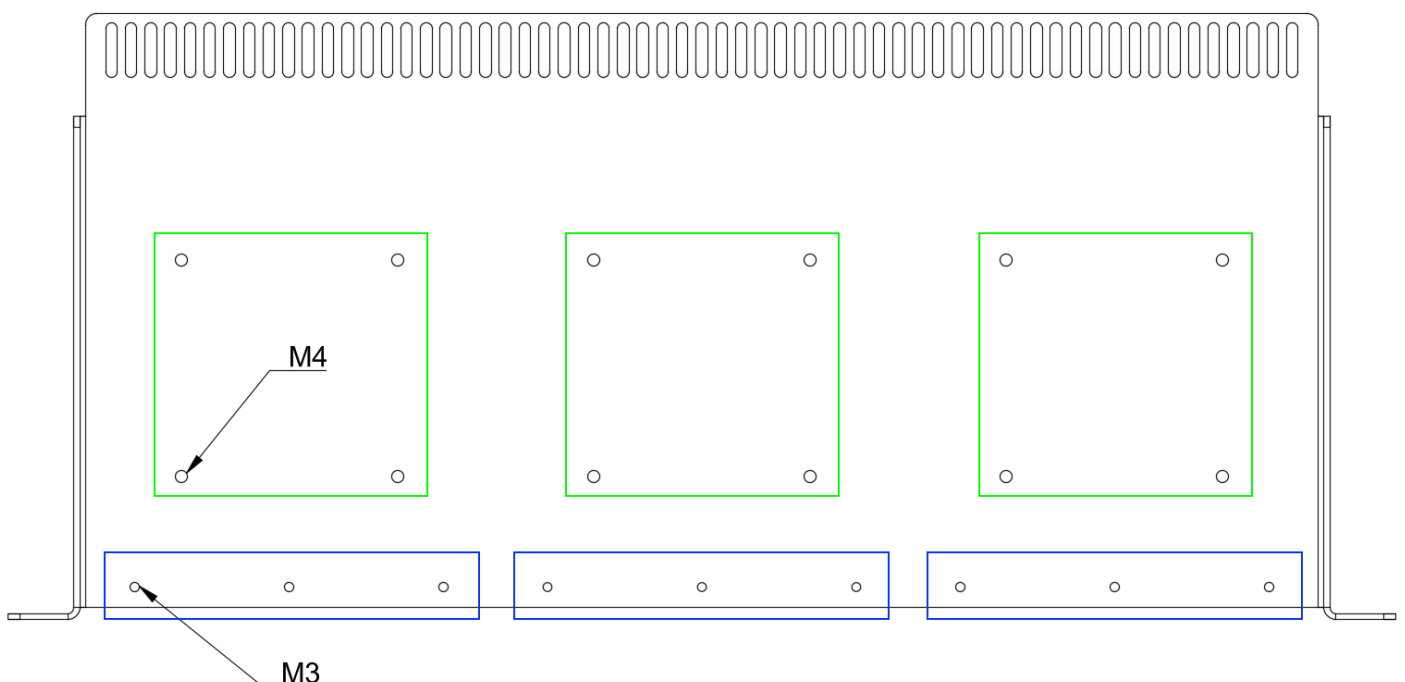
- Fits **up to 3 Cueva Control devices**
- Compatible with **all Cueva Control devices**
- Occupies **1U height** in a standard 19" rack

Possible configurations:

- 1 device + 2 blind panels
- 2 devices + 1 blind panel
- 3 devices (no blind panels)

Included Components

- RM99 19" rack mount frame
- **2 x blind panels**
- **6 x M3 x 4mm T10, 12 x M4 x 6mm T20 screws**
- Integrated **rear cable management section**



Device Installation

1. Decide how many Cueva Control devices you want to install (1, 2, or 3).
2. Position the devices in the RM99 from the front.
3. Install blind panels in unused positions with the supplied M3×4mm screws to maintain airflow and a clean appearance.
4. Secure each device to the RM99 using the supplied M4×6mm mounting screws supplied with the device.

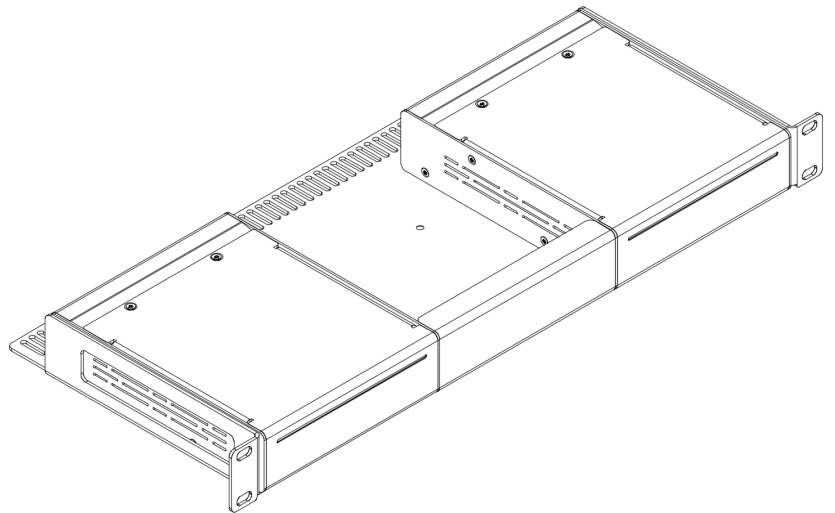
Cable Management

Behind the installed devices, the RM99 features **dedicated cable management space**.

Use this area to:

- Organize power, signal and data cables
- Reduce strain on connectors
- Improve airflow and serviceability

Secure cables neatly to avoid interference when mounting the rack unit.



Rack Installation

1. Mount the fully assembled RM99 into a standard 19" rack.
2. Use appropriate rack screws and cage nuts (not included).
3. Tighten evenly to ensure a stable installation.

⚠ Always support the unit during installation to avoid stress on the rack rails.

Installation Notes

- Ensure adequate ventilation inside the rack.
- Do not block airflow with excess cabling.
- Leave sufficient clearance at the rear for cable routing and maintenance.

Safety

- Installation should be carried out by qualified personnel.
- Disconnect all power before installing or removing devices.
- Do not exceed the rack's maximum load rating.